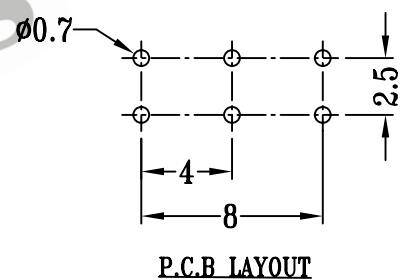
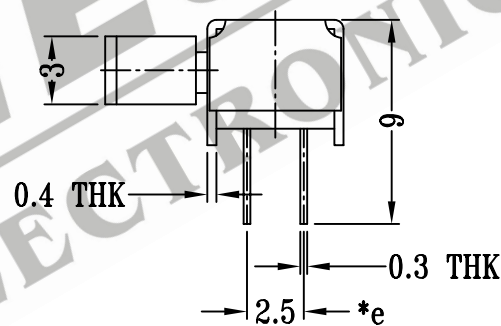
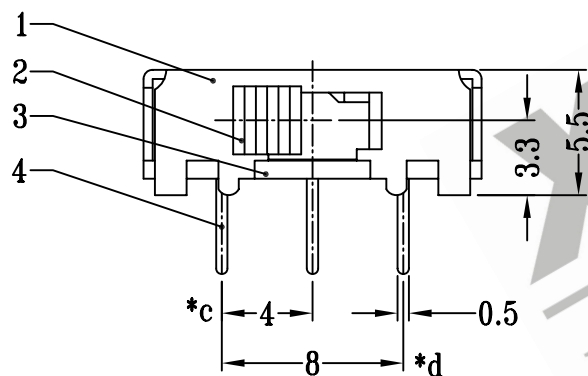
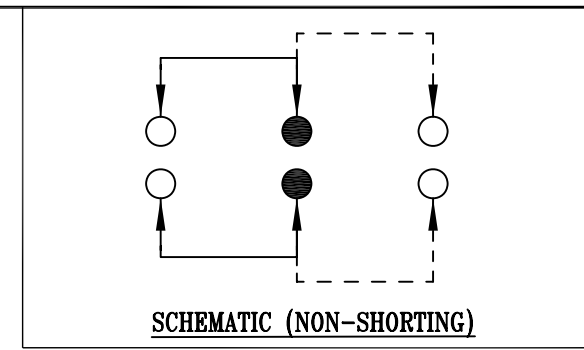
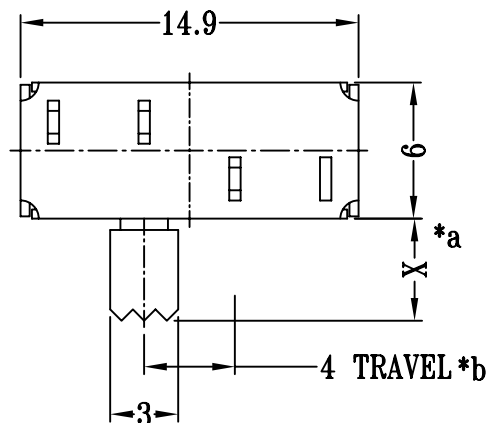


CAD FILE:



注:带"*"表示关键尺寸(7个)

				TOLERANCE UNLESS SPECIFIED		SHENZHEN XIEJIA ELECTRONICS CO.,LTD.					
				WITHIN: 1.5mm±0.1mm		ISSUE	DATE	DESCRIPTIONS OF REVISION		APPD.	
				OVER: 1.5mm±0.2mm							
8											
7											
6	SPRING PLATE	STAINLESS STEEL	1	NATURAL	TITLE : HORIZONTAL SLIDE SWITCH		UNIT : mm		DRWG NO.: XJ-DR-SK22H18-00		
5	CONTACT CLIP	PBS	2	Ag CLAD							
4	TERMINAL	BRASS STRIP	6	Ag PLATED OVER Ni PLATED	MODEL: SK-22H18		SCALE: 3:1		CHK'D	FANGYING	2001-9-25
3	BASE	PHENOLIC RESIN	1	NATURAL					APPD.	KANGXINAN	2001-9-25
2	KNOB	POM	1	BLACK	ALL MATERIALS MUST BE COMPLIANT TO ROHS						
1	FRAME	STEEL STRIP	1	Ni PLATED							
NO.	PARTS	MATERIALS	Q'TY	FINISH							